

# Carbon Fiber Reinforced Polymer [CFRP] Strip/Plate Standard Tensile Strength

**Pioneer in CFRP,  
Smart & Clever for Composites**

**Structural Strengthening  
Building, Bridge &  
Civil Engineering  
[Column, Beam & Slab]**

**Timber Strengthening**

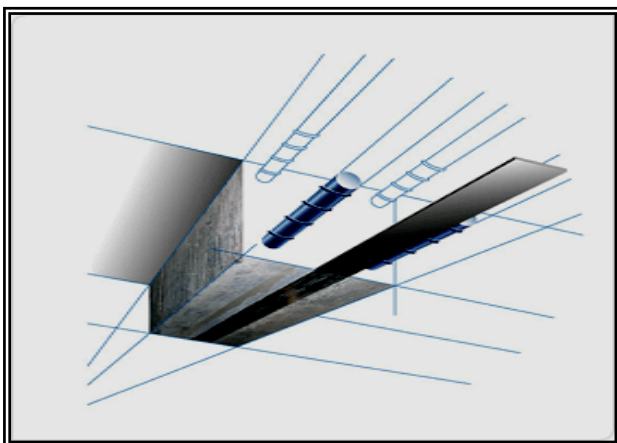


**Build Strip STD 1030 & 530 [3.00mm thick]**

## **Build Strip STD**

### **Thickness & Wide Products List**

- 5.00mm x 100mm x 50/m roll
- 3.00mm x 100mm x 100/m roll
- 2.00mm x 100mm x 100/m roll
- 1.40mm x 100mm x 100/m roll
- 1.20mm x 100mm x 100/m roll
- 5.00mm x 50mm x 50/m roll
- 3.00mm x 50mm x 100/m roll
- 2.00mm x 50mm x 100/m roll
- 1.40mm x 50mm x 100/m roll
- 1.20mm x 50mm x 100/m roll



**Build Strip STD 1020, 520, 1014 & 514  
[2.00mm & 1.40mm thick]**

### Carbon Fiber Reinforced Polymer [CFRP] Standard Tensile Strength [STD]

#### Build Strip STD

is Laminates Strip/Plate/Tape, Carbon Fiber of Putrusion Extruded Oriented, continuous carbon filaments which are held in position by a lightweight, of **Build Strip STD®** has robust handling and rapid wet-out characteristics which make it ideal for on-site strengthening of structural of buildings, bridges, beams, columns and marine structures. Additionally, **Build Strip STD®** is compatible with the special adhesive systems which can be applied using a variety of wet-out/adhesive infusion techniques.

Is a composite materials are finding applications for the reinforcement of new and the strengthening of existing structures. The materials excellent resistance to most of forms of corrosions and the ability to dissipate energy as required in earthquake scenarios make them eminently suitable for a wide rage of applications and they contribute significantly to lowering life cycle costs and increasing safety.

#### History Carbon Fiber

Is produced by the controlled oxidation, carbonization and graphitisation of carbon-rich organic precursors which are already in fiber form. The most common precursor is polyacrylonitrile (PAN), because it gives the best carbon fiber properties, but fibers can also be made from pitch or cellulose. Variation of the graphitisation process produces either high strength fibers (@2,600°C) or high modulus fibers (@3,000°C) with other types in between. Once formed, the carbon fiber has a surface treatment applied to improve matrix bonding and chemical sizing which serves to protect it during handling

#### Build Strip STD

#### Physical of Carbon Fiber & Matrix Epoxy

Fiber Volume Content	68% (by Weight)	[Carbon Fiber Yarn]
Binder Volume Content	32% (by Weight)	
Tensile Strength	4200 Mpa	[Toray T300, Dry Carbon Fiber Yarn Filament]
E-Modulus	230-235 Gpa	[Toray T300, Dry Carbon Fiber Yarn Filament]
Density of Carbon Fiber	1.79 g/cm <sup>3</sup>	[Yarn Filament]
Color	Black	

#### Properties, Cured Laminates, [Final Performance] Carbon Fiber Reinforced Polymer

#### Build Strip STD

	Test Method	UK Design	US Design
Tensile Strength	ASTM D3039	1800-2000 Mpa	261,000-290,000psi
E-Modulus	ASTM D3039	165 Gpa.	24.00 x 10 <sup>4</sup> psi
Density Composite	ASTM D3039	1.50-1.60 g/cm <sup>3</sup>	1.50-1.60 g/cm <sup>3</sup>
Elongation at Break	ASTM D3039	1.70 %	1.70%
Temperature Resistance	ASTM D3039	>150°C	>150°C

### Select Thickness x Wide Of Below List Products

	Thickness [mm]	Width [mm]	Roll Size [Meter]	Weight [kg/Meter] or [kg/roll]	
Build Strip STD 1050	5.00	100	50	0.800	40.000
Build Strip STD 1030	3.00	100	100	0.480	48.000
Build Strip STD 1020	2.00	100	100	0.320	32.000
Build Strip STD 1014	1.40	100	100	0.224	22.400
Build Strip STD 1012	1.20	100	100	0.192	19.200
Build Strip STD 550	5.00	50	50	0.400	20.000
Build Strip STD 530	3.00	50	100	0.240	24.000
Build Strip STD 520	2.00	50	100	0.160	16.000
Build Strip STD 514	1.40	50	100	0.112	11.200
Build Strip STD 512	1.20	50	100	0.096	09.600
Build Strip STD 1514	1.40	150	100	0.336	33.600
Build Strip STD 1214	1.40	120	100	0.268	26.800

### Key Properties

- ❖ High Tensile Strength
- ❖ High Thermal Conductivity & Electrical Conductivity
- ❖ Light Weight & Transparent to X-Rays
- ❖ Excellent Fatigue & Corrosion Resistance
- ❖ Low Friction and Wear & Low Thermal Expansion
- ❖ Resistance to High Temperatures
- ❖ Good Creep and Damping Properties
- ❖ Solvent Free Working Environment & Non-Toxic

### Uses

***to Strengthening Reinforced Concrete  
Masonry, Timber Wood & Steel***

#### **Loading Increase**

Increasing of Support Live Load in Building  
Increasing of Support Traffic Growth on Bridges  
Vibrating Machinery on Roof Slabs  
Heavy Machinery in Commercial Building

#### **Change Design for Structural System**

Dismantlement of Walls & Columns  
Dismantlement of Slabs & Beam  
Reducing of Buildings & Bridges Weight

#### **Design or Construction Defects**

Insufficient Reinforcements  
Insufficient Structural Depth

### Surfaces-applied Laminates:

Laminate Type	Cross Section	Tensile Strength At Elongation 0.60%	Tensile Strength At Elongation 0.80%
<b>Build Strip STD</b> Modulus of elasticity 165 Gpa	[mm <sup>2</sup> ]	Theoretical Tensile Strength for the Design 1,000 N/mm <sup>2</sup>	Theoretical Tensile Strength for the Design 1,300 N/mm <sup>2</sup>
100mm x 5.00mm	500	500.0 kN	650.0 kN
100mm x 3.00mm	300	300.0 kN	390.0 kN
100mm x 2.00mm	200	200.0 kN	260.0 kN
100mm x 1.40mm	140	140.0 kN	182.0 kN
100mm x 1.20mm	120	120.0 kN	156.0 kN
50mm x 5.00mm	250	250.0 kN	325.0 kN
50mm x 3.00mm	150	150.0 kN	195.0 kN
50mm x 2.00mm	100	100.0 kN	130.0 kN
50mm x 1.40mm	70	70.0 kN	91.0 kN
50mm x 1.20mm	60	60.0 kN	78.0 kN
150mm x 1.40mm	210	210.0 kN	273.0 kN
150mm x 1.20mm	180	180.0 kN	234.0 kN



**“Build Strip STD 1030” Installed at Reinforced Beam [2 nos Strip]**

### Application Method

#### **Surfaces Preparation**

Reinforced concrete surfaces shall be clean, structurally sound and free from foreign materials, contaminants, oily and other debris. Concrete surfaces shall not more than 4% moisture content and the temperature of the substrate must be at least 3°C which above, the current dew point temperature.

Reinforced concrete surfaces shall be clean, structurally sound and free from foreign materials, contaminants, oily and other debris. Concrete surfaces shall not more than 4% moisture content and the temperature of the substrate must be at least 3°C which above, the current dew point temperature.

For filling surface irregularities such as blowholes, honeycombs & etc. Please hacking or cutting – off unloose concrete, air blowing those dust, and clean all concrete surfaces, keep over night for dry.

Using patching method of Polymer Cementitious Mortar or pumping of High Strength Cementitious Grout. But only for concrete surfaces cracks 0.25mm, must be injected with Low Viscosity of Epoxy Resin for filled. Using high pressure Air-Less Pump for injecting and penetration into structural crack lines, to achieve load bearing and adhesion bonding system.

Once patching, pumping or injecting works have been done, before laying Carbon Fiber Laminates, all surfaces must be Hammer Test for Polymer Cementitious Mortar, High Strength Cementitious Grout and Pull-Off Test for Cracks Lines. For achievement of strength requirement please consult your local Engineer.

#### **Over Head Application**

##### **Vertical Application**

Applied on Over Head or Vertical Beam and Slab, either Primer, Adhesive & Resin, Waste of materials are approximately 15%.

#### **Mixing of Primer**

Use a low speed (300 to 500 rpm) electric drill fitted with a paint mixer or a wing type paddle Pour one unit of Part A & B into drum and mix for at least 3 minutes until the mix is uniform and free. Note: Once been mixed, the Primer must be applied within 30 minutes of Pot Life.

#### **For Uneven Surfaces**

##### **Mixing of Paste Putty**

Use a low speed (300 to 500 rpm) electric drill fitted with a paint mixer or a wing type paddle. Pour one unit of Part A & B into drum and mix for at least 5 minutes until the mix is uniform and free. Note: Once have been mixing, the Paste Putty must be applied within 60 minutes of Pot Life.

#### **Mixing of Adhesive**

Use a low speed (300 to 500 rpm) electric drill fitted with a paint mixer or a wing type paddle. Pour one unit of Part A & B into drum and mix for at least 5 minutes until the mix is uniform and free. Note: Once have been mixing, the Paste Putty must be applied within 60 minutes of Pot Life.

### Easy Installation

The easy to use Carbon Fiber system components assure fast, user friendly installation. A complete system is installed in only four (4) steps to properly prepared surfaces within appropriate working conditions.

### System Recommended

#### Use Resin Component

**Epo Adhesive Strip** is Epoxy Solvent Free Two Component of Part A & Part B.  
Sag Resistance until 6mm thick.  
Up to 15 Mpa, Shear Strength  
Up to 4 Mpa, Peel Strength  
Suitable for applied on Over Head or Vertical Surfaces

#### 1. Roll "Epo Bond Primer"

Apply **Epo Bond Primer**, at rate applied 0.20 kg/m<sup>2</sup> to 0.30 kg/m<sup>2</sup>, is a low viscosity of **Primer Resin** that can be applied using a roller.  
(Wait for ½ to 1 hours curing)

#### 2. Apply "Epo Adhesive Strip"

Apply **Epo Adhesive Strip**; at rate applied 0.34 kg/meter linear to 1.5 kg/meter linear, paste adhesive is a high solid, non sag Epoxy Based or Polyurethane Based material that is applied using a Spatula Tools to level concrete surfaces.

**Note: Min of Thickness of Adhesive shall be at least 0.5 mm**

(Curing time: ½ hour to 4 hours depend of whether temperature)

#### 3. Apply Carbon Fiber of "Build Strip STD®"

Within the open time of the adhesive, place immediately the **Build Strip STD®** laminates onto the adhesive surfaces, using roller or other tools to press the laminates into the adhesive until is forced out on both sides of the laminates.

**Before the adhesive curing. Immediately remove surplus adhesive on both sides**

Clamp The **Build Strip STD®**. The joint component should be assembled and clamped as soon as the Adhesive has been applied. An even contact pressure throughout the joint area will ensure optimum cure.

#### 4. Apply Optional Topcoat

Where required, the Carbon Fiber high solids, high gloss, corrosion-resistant topcoat provides a protective/aesthetic outer layer. (Refer to Painting Manufacture)

**Where required, the Carbon Fiber Strip Laminates to protection of Fireproofing system. Please call our technical for advice.**

**Note In the case of two layers and several layers of "Build Strip STD" of Carbon Fiber Strip Laminates. For multiple plies repeat steps 1, 2 and 3.**



### System Recommended Use Epoxy Adhesive Component

Grade of Carbon Fiber	Grade of Adhesive Recommendation	Shear Strength	Peel Strength (Cleavage)
Build Strip STD	Epo Adhesive Strip (Standard) High Shear & Peel Strength	15 N/mm <sup>2</sup>	4 N/mm <sup>2</sup>
Build Strip STD	Epo Adhesive Strip 335 (Slow or Fast) Ultra High Shear & Peel Strength	35 N/mm <sup>2</sup>	12 N/mm <sup>2</sup>
Build Strip STD	Epo Bond HT 110 (Slow or Fast) If application on High Temperature More Than > 100-130°C on Structure Reinforced	15 N/mm <sup>2</sup>	4-6 N/mm <sup>2</sup>

### Consumptions of Epoxy Adhesive

Type of Strip Laminates	Require Approximately of Epoxy Adhesive Kg/Linear Meter	Epo Adhesive Strip 5 kg pack Coverage LM/pack	Epo Bond HT 110 5 kg pack Coverage LM/pack
All 50mm wide	0.30-0.45 kg Per linear meter	16.50 LM/pack	16.50 LM/pack
All 100mm wide	0.60-0.90 kg Per linear meter	7.50 LM/pack	7.50 LM/pack
All 120mm wide	0.75-1.05 kg Per linear meter	6.50 LM/pack	6.50 LM/pack
All 150mm wide	0.90-1.20 kg Per linear meter	5.00 LM/pack	5.00 LM/pack

Manufacturer by:

## LaMaCo System Sdn Bhd



407, Jalan Perusahaan 6,  
Taman Bandar Baru Mergong,  
05150 Alor Star, Kedah. Malaysia  
Tel : +60-4-734 5555  
Fax : +60-4-772 4444  
Http : [www.lamaco.com](http://www.lamaco.com)  
Email : [info@lamaco.com](mailto:info@lamaco.com)

**Important 1:** While the information and data sheet contained in this promotional literature are presented in good faith and believed to be reliable, they do not constitute a part of our terms and conditions of sales unless specifically incorporated in our Order acknowledgement. Nothing herein shall be deemed to constitute a warranty, express or implied, that said information or data sheet are correct or that the products described are merchantable or fit for a particular purpose, or that said information, data sheet or products can be used without infringing patent of third parties.

**Important 2:** **LaMaCo Malaysia** products are not guaranteed against defective materials and manufacture & are sold subject to its standard Terms & Conditions of sale, copies of which may be obtained on request. Whilst **LaMaCo Malaysia** endeavors to ensure that any advice, recommendation, specification or information is accurate and correct, it cannot- because it has no direct or continuous control over where or how its products are applied – accept any liability either directly or indirectly arising from the use of its products, whether or not in accordance any advice, specification, recommendation or information given by it.

**Health & Safety** Some of the components of this product may be hazardous during mixing and application. Please consult the relevant Health & Safety Data Sheets, available from **LaMaCo Malaysia** on request and sent with each delivery.

**Test Accordingly to ASTM D3039,  
Cured Laminates of CFRP Polymer Matrix Composite Products  
Putruction Type of CFRP Strip/Plate/Tape**

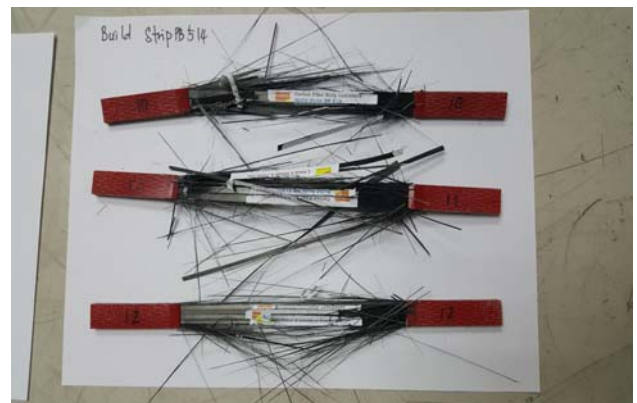
**Achieving Test Result**

Product Name	Tensile Strength [Mpa]	E-Modulus [Gpa]	A Fiber Thickness mm	B Fiber Width mm	Fiber Length mm	C Max Tensile Load [kN]
Build Strip STD 1050 or 550	1800	140-165	5.00	10	250	90,000
Build Strip STD 1030 or 530	1800	140-165	3.00	10	250	54,000
Build Strip STD 1020 or 520	1800	140-165	2.00	10	250	36,000
Build Strip STD 1014 or 514	1800	140-165	1.40	10	250	25,200
Build Strip STD 1012 or 512	1800	140-165	1.20	10	250	21,600

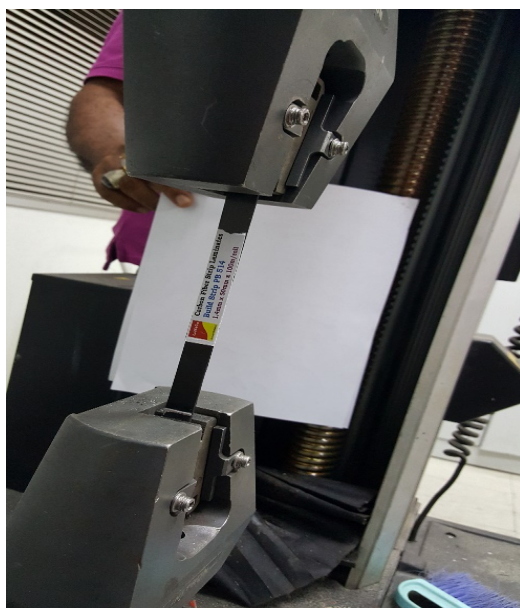
\*Tensile capacity was calculated as  $\frac{C}{A \times B}$



Specimen Sample: [Before Testing]  
CFRP Strip 1.4mm x 10mm x 250mm



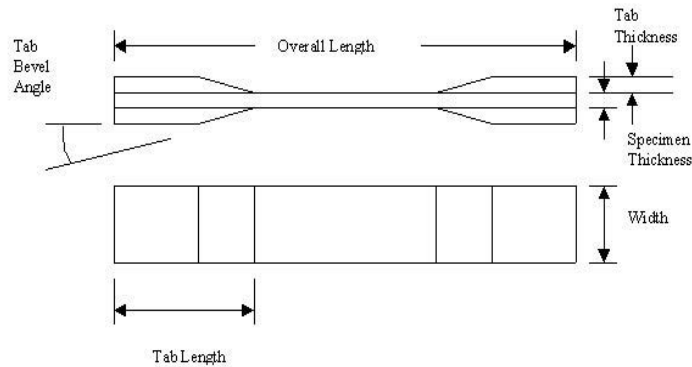
Specimen Samples: [Tested]  
CFRP Strip 1.4mm x 10mm x 250mm



Testing Equipment, Method of Tester Installed,  
Once Tested the CFRP Cured Laminates Breaking

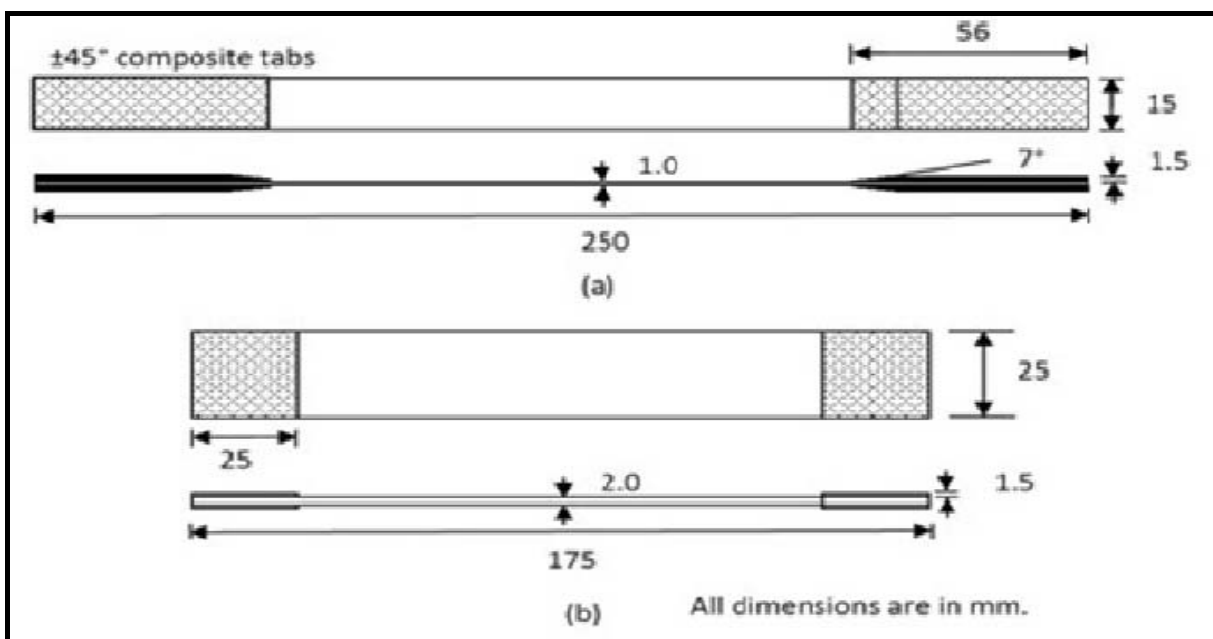


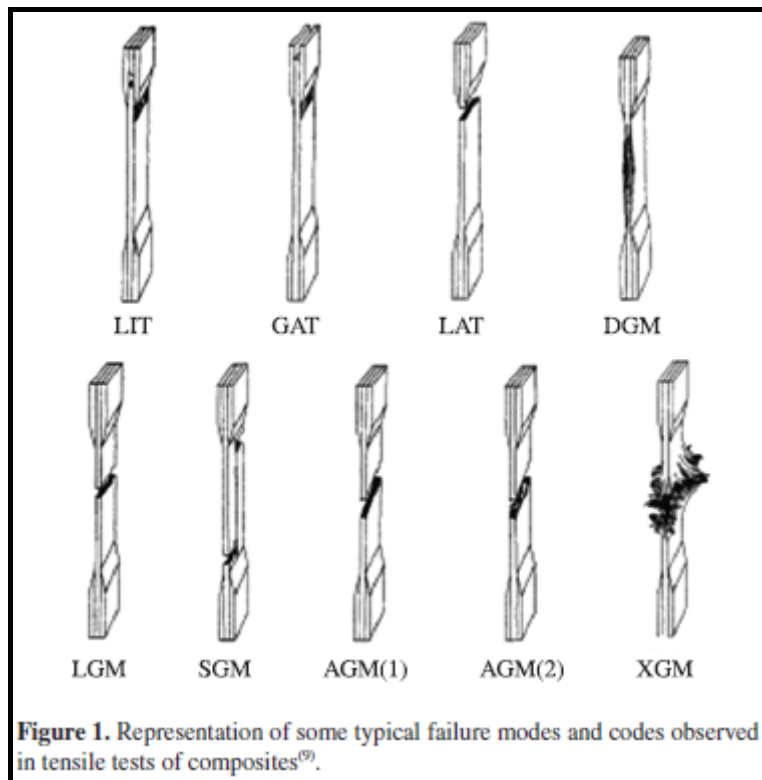
### Composite tensile specimen for measurement of longitudinal properties $E_1$ and $S_L^{(+)}$



Fiber Orientation	Width, mm [in.]	Overall Length, mm [in.]	Thickness, mm [in.]	Tab Length, mm [in.]	Tab Thickness, mm [in.]	Tab Bevel Angle,°
0° unidirectional	15 [0.5]	250 [10.0]	1.0 [0.040]	56 [2.25]	1.5 [0.062]	7 or 90
90° unidirectional	25 [1.0]	175 [7.0]	2.0 [0.080]	25 [1.0]	1.5 [0.062]	90
balanced and symmetric random-discontinuities	25 [1.0]	250 [10.0]	2.5 [0.100]	emery cloth	—	—

Specimen geometry for ASTM D3039/D3039M-08 standard tensile test. (Dimensions from ASTM D3039/D3039M-08. Copyright ASTM International. Reprinted with permission.)





**ACI 440.3R-12**

**Guide Test Methods for Fiber-Reinforced Polymer (FRP) Composites for Reinforcing or Strengthening Concrete and Masonry Structures**

Reported by ACI Committee 440



**American Concrete Institute®**